



# SnapSkrü® SELF-DRILLING DRYWALL ANCHORS

## The strongest & easiest-to-use self-drilling drywall anchor...

The TOGGLER® SnapSkrü self-drilling drywall anchor needs no drill and installs as quickly and easily as an ordinary self-drilling drywall “auger” anchor, but its unique “Snap Lock” feature provides positive behind-the-wall locking with the holding power of a toggle bolt - with up to **80% more holding power** than conventional anchors on the market!

Use TOGGLER® SnapSkrü self-drilling anchors for medium-duty applications in drywall where you need speed, ease-of-use, and secure holding strength that will NOT pull loose.

## Benefits compared to other self-drill anchors:

- Holds up to **80% more** than reported by other self-drilling drywall anchor tests
- Accepts a wide range of screws (SP 3.5-5.0mm)
- Built-in ‘positive stop’ prevents over-driving the anchor
- Activates with an audible ‘pop’, providing positive installation feedback
- Anchors **lock** into the wall to resist vibration & shock
- Does NOT spin—screw installs with a screw gun
- Remove the screw without removing the anchor! Then re-install into the same anchor, with the same screw.

Anchor	Regular	MINI	Regular	MINI
Tested in:	<b>TENSILE</b> [kg]		<b>SHEAR</b> [kg]	
9.5mm Drywall	25	25	49	47
12.5mm Drywall	36	29	68	59
15mm Drywall	61	43	81	79
Screw tested:	4.0x40mm	3.5x30mm	4.0x40mm	3.5x30mm

- All tests carried out indicate the ultimate working load (UWL) using equivalent UNC thread screws. Holding values converted from lb to kg. Industry safety standards recommend using only ¼ of the ultimate tensile and shear values as the maximum load per anchor.
- Ultimate tensile and shear values for a SnapSkrü anchor vary directly with the strength and thickness of the wall material, the screw size, and the extent of the screw engagement.
- The above table of ultimate tensile and shear values is to be used as a guide only. Due to variability and condition of wall materials and construction methods, TOGGLER Anchor System cannot guarantee that you will achieve the same results.

## Installation Instructions

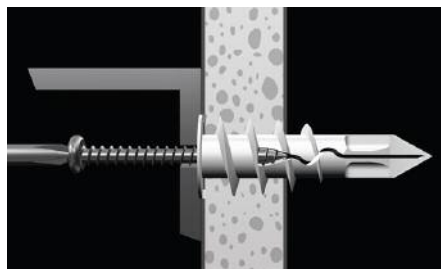
### Tools Needed:

Screwgun, electric drill with clutch, or screwdriver with PZ2 bit (or #2 Phillips)



Press tip of SnapSkrü anchor into drywall using PZ2 or Phillips #2 screwdriver or screw gun. Drive the anchor clockwise into drywall until anchor stops flush with the outer wall surface.

**TIP:** To keep the anchor in a precise position during installation, push the tip of the screwdriver into the drywall to mark the insertion point.



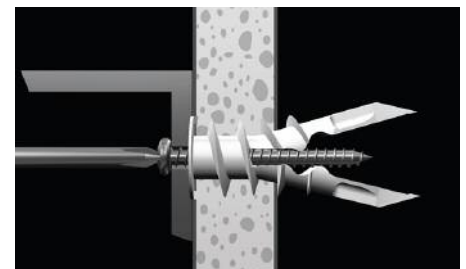
Place item over the anchor and insert any fully threaded screw. (see below for recommended sizes)

### For MINI anchor

Ø3.5 - 4.5mm, 3.5mm recommended

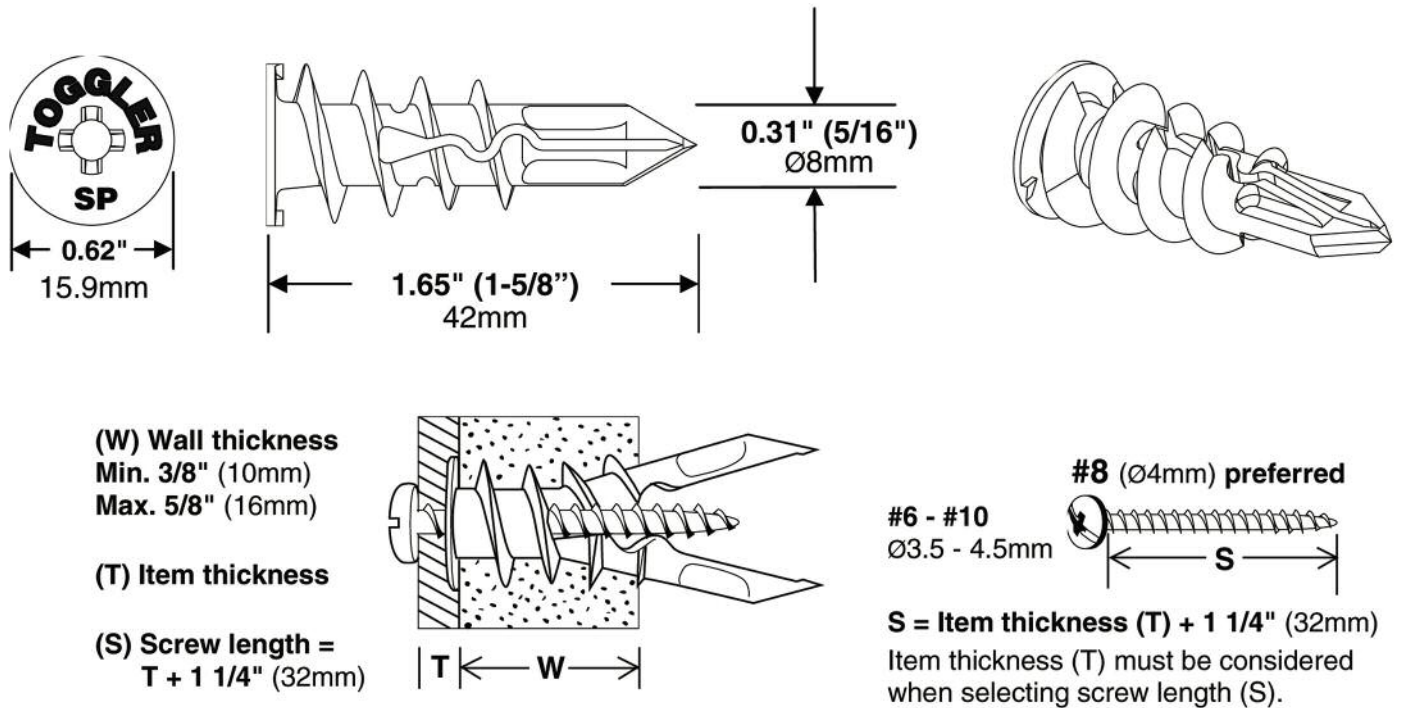
### For Regular anchor:

Ø3.5 - 5.0mm, 4.0mm recommended



Tighten screw flush with item. The screw pops open the anchor, locking it on the wall and holding the gypsum board in compression. This reinforces the wall, increasing its holding power significantly.

# SnapSkru® SELF-DRILLING DRYWALL ANCHORS



**Description** — SnapSkru Regular [SP] Self-drilling Drywall Anchor

**Material** — Injection-Molded, Glass-Filled Nylon (Proprietary Thermo-Plastic Alloy)

**Screw Specification** — Sheet Metal Screw (SMS), fully threaded in anchor

**Screw Size Range, Diameter** — 3.5mm, 4.0mm (preferred), 4.5mm, 5.0mm (#6, #7, #8, #10)

**Screw Size, Minimum Length** — 32mm + thickness of item being anchored

**Minimum Drywall Thickness** — 9.5mm

**Maximum Drywall Thickness** — 16mm

**Minimum Clearance Behind** — 29mm clearance behind 12.5mm drywall

**Wall For Anchor** — 25mm clearance behind 15mm drywall

[Additional clearance may be needed for extra-long screws.]

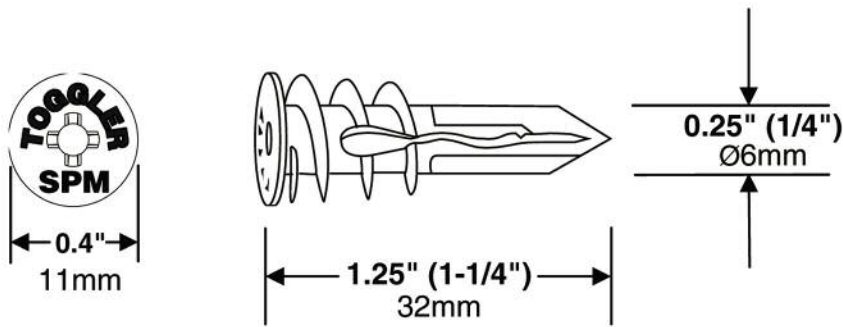
**TIP:** The SnapSkru Regular anchor can also be used in double thickness drywall - just drill a 5mm pilot hole first!

## Applications

The SnapSkru Regular Anchor is designed for medium duty loads in 9.5mm, 12.5mm and 15mm gypsum-based drywall materials. Typical products installed using the SnapSkru anchor include the following:

- Shelving & Ledges
- Picture Frame
- Art Objects
- Curtain Poles
- Lighting Fixtures
- Cabinets
- Mirrors
- Thermostats
- HVAC grills
- Coat Racks
- Bathroom accessories
- Closet Organizers
- Small TV Mounts
- Alarms
- Smoke Detectors
- Motion Detectors
- First Aid Kits
- Fire Extinguishers
- Speaker Equipment
- Telecommunication
- Office Fixtures
- Bulletin Boards
- Clocks
- Signs

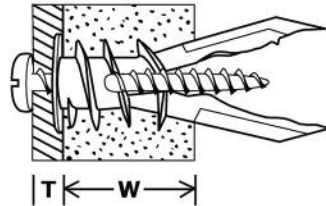
# SnapSkru® *MINI* SELF-DRILLING DRYWALL ANCHORS



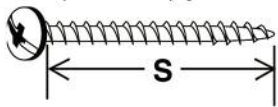
(W) Wall thickness  
Min. 3/8" (10mm)  
Max. 5/8" (16mm)

(T) Item thickness

(S) Screw length =  
T + 1" (T+25mm)



#6 (Ø3.5mm) preferred  
#6 - #8  
Ø3.5 - 4mm



S = Item thickness (T) + 1" (25mm)  
Item thickness (T) must be considered when selecting screw length (S).

**Description** — SnapSkru MINI [SPM] Self-drilling Drywall Anchor

**Material** — Injection-Molded, Glass-Filled Nylon (Proprietary Thermo-Plastic Alloy)

**Screw Specification** — Sheet Metal Screw (SMS), fully threaded in anchor

**Screw Size Range, Diameter** — 3.5mm (preferred), 4.0mm

**Screw Size, Minimum Length** — 25mm + thickness of item being anchored

**Minimum Drywall Thickness** — 9.5mm

**Maximum Drywall Thickness** — 16mm

**Minimum Clearance Behind** — 16mm clearance behind 12.5mm drywall

**Wall For Anchor** 13mm clearance behind 15mm drywall

[Additional clearance may be needed for extra-long screws.]

**TIP:** The SnapSkru Regular anchor can also be used in double thickness drywall - just drill a 5mm pilot hole first!

## Benefits of the Snapskru *MINI* Anchor (SPM)

- The SnapSkru *MINI* self-drilling drywall anchor makes only a **small 6mm hole**.
- Its small head (11mm dia.) **hides behind fixtures** and **always sits flush** with the wall.
- The SnapSkru *MINI* self-drilling drywall anchor accepts 3.5mm through 4.0mm screws.  
*Other self-drilling drywall anchors this size accept **ONLY** a 3.5mm screw!*
- In 16mm drywall the SnapSkru *MINI* self-drilling drywall anchor **holds over 43kg.\***  
*This is **25% more** than the regular-size versions of other self-drilling drywall anchors!*

\*NOTE: Holding value is per anchor with a 3.5x30mm screw. Industry standard safe holding = ¼ of the UWL

# SnapSkru® SELF-DRILLING DRYWALL ANCHORS

## Benefits

- In 15mm drywall the SnapSkru SP self-drilling drywall anchor **holds over 61kg.\***  
*This is **80% more** than the highest load reported by other self-drilling drywall anchors.*
- In 12.5mm drywall the SnapSkru SP self-drilling drywall anchor **holds over 36kg.\***  
*This is **60% more** than the highest load reported by other self-drilling drywall anchors.*
- The SnapSkru SP self-drilling drywall anchor accepts **3.5mm, 4.0mm and 5.0mm screws.**  
The SnapSkru MINI self-drilling drywall anchor accepts **3.5mm and 4.0mm screws.**  
*Other self-drilling drywall anchors do **NOT** accept this large a range of screw sizes.*
- SnapSkru self-drilling drywall anchors have a **built-in “positive-stop”** that prevents overdriving the anchor when using a screw gun or hand drill.  
*It is easy to drive other self-drilling anchors through the drywall; they have **NO** stop.*
- SnapSkru self-drilling drywall anchors activate with an **audible sound**, providing positive feedback that they are installed correctly. You can actually hear the anchor **“pop”** open and lock on the backside of the wall.  
*Other self-drilling drywall anchors give **NO** indication they have been properly installed.*
- SnapSkru self-drilling drywall anchors **resist vibration and shock.**  
*Other self-drilling anchors cut the drywall and pull loose when vibrated or shocked. They do **NOT** lock in the wall.*
- SnapSkru self-drilling drywall anchors **do not back out of the wall** when the screw is removed. You can remove the screw, leaving the anchor safely in the wall, and then later reinstall your fixture in the same anchor with the same screw. Yet, the anchor itself can be safely backed out of the wall, when one chooses, without destroying the wall.  
*Other self-drilling anchors **pull out** of the wall with the screw, destroying the wall.*
- It takes a much greater amount of work or energy to remove a SnapSkru anchor from the wall during tensile load testing. This means a **much safer installation.**  
*For example, it takes **20 times MORE work** or energy to remove the SP anchor totally from the wall during tensile loading than it takes to remove the competition’s anchor.*
- SnapSkru anchors are **designed and manufactured in the U.S.A.** Each anchor proudly bears the TOGGLER name and carries a 100% money back satisfaction guarantee.  
*Most other self-drilling drywall anchors have **NO** name. Who stands behind them?*

**\*NOTE:** Holding values above are per anchor with a 4.0x40mm screw. Industry standard safe holding = 1/4 of ultimate load.



**TOGGLER UK Distributor**  
Toolfix Services  
Pentagon House, 12 Newark Road  
Peterborough, PE1 5UA

08001 613613 Free-Phone  
01733 347348 Phone  
sales@toolfixservices.com  
**www.toolfixservices.com**



**TOGGLER Anchor System**  
Div. of Mechanical Plastics Corp.  
110 Richards Avenue  
Norwalk, CT 06854  
USA

800.544.2552 Toll-Free  
203.857.2200 Phone  
203.857.2201 Fax  
info@toggler.com  
**www.togglers.com**

